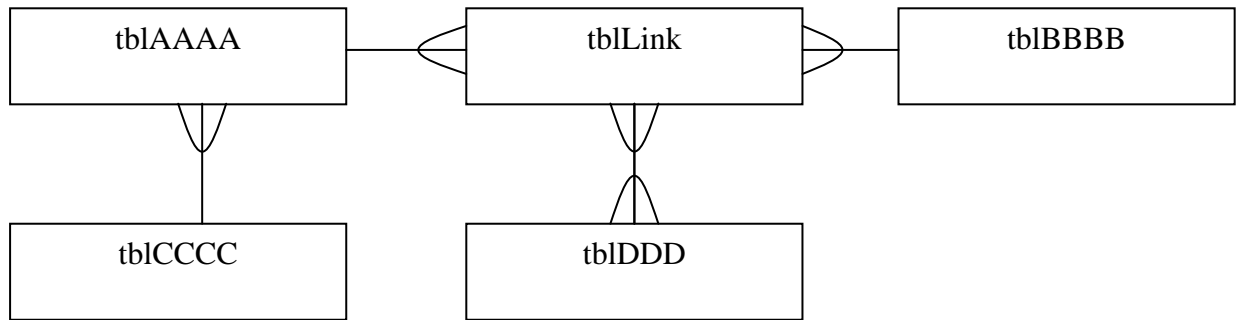


Database Design – Entity Relationships



Database Design – Table Design with Data dictionary & Description**Table: tblAAAA**

Key	Field Name	Type	Default Value	Valid Range	Normal Data	Boundary / Extreme Data
*	AAAAID	Autonumber		Whole numbers from 1	1, 123	588878886 / Jim Clark
		Text: 20 Chrs				
		Number: Int	1	Whole numbers between 1 & 1000	171, 152	1001, 11.1, 0 / fred
		True / False	False		True, False	Don't know / Mr Rowe
		Lookup Link		Existing Key Fields		

Table: tblBBBB

Key	Field Name	Type	Default Value	Valid Range	Normal Data	Boundary / Extreme Data
*	AAAAID	Autonumber		Whole numbers from 1	1, 123	588878886 / Jim Clark
		Text: 20 Chrs				
		Number: Int	1	Whole numbers between 1 & 1000	171, 152	1001, 11.1, 0 / fred
		True / False	False		True, False	Don't know / Mr Rowe
		Lookup Link		Existing Key Fields		

Table: tbllink

Key	Field Name	Type	Default Value	Valid Range	Normal Data	Boundary / Extreme Data
*	AAAAID	Autonumber		Whole numbers from 1	1, 123	588878886 / Jim Clark

		<i>Text: 20 Chrs</i>				
		<i>Number: Int</i>	<i>1</i>	<i>Whole numbers between 1 & 1000</i>	<i>171, 152</i>	<i>1001, 11.1, 0 / fred</i>
		<i>True / False</i>	<i>False</i>		<i>True, False</i>	<i>Don't know / Mr Rowe</i>
		<i>Lookup Link</i>		<i>Existing Key Fields</i>		

Database Design – Form Design

FormEnterStudentDetails

On Screen Form.

Data to come from ... *Query or table name the data comes from and is stored in*

Write a description here of colour scheme and other details such as All Text labels in Times New Roman size 12 colour black Box to have a grey background. Text right aligned as shown.

Logo to be added here!

Surname

First Name

Date of Birth

Exam

Additional details for aspects on this side of the form. Ensure the maximum field length can appear in the text box – Font Times New Roman You could give approx. on screen size

Database Design – Query Design**QueryLLLLL**

Data will come from Table / Query	<i>tblAAAA</i>
List of fields to be processed or passed to output	<i>All fields except Title</i>
Description of Processes	<i>Sorted by Surname then First name of all those with dates of birth this month</i>
Use	<i>To be used to produce data for Reportxxx</i>

QueryMMMMM

Data will come from Table / Query	<i>tblAAAA</i>
List of fields to be processed or passed to output	<i>All fields except Title</i>
Description of Processes	<i>Sorted by Surname then First name of all those with dates of birth this month</i>
Use	<i>To be used to produce data for Reportxxx</i>

QueryNNNNN

Data will come from Table / Query	<i>tblAAAA</i>
List of fields to be processed or passed to output	<i>All fields except Title</i>
Description of Processes	<i>Sorted by Surname then First name of all those with dates of birth this month</i>
Use	<i>To be used to produce data for Reportxxx</i>

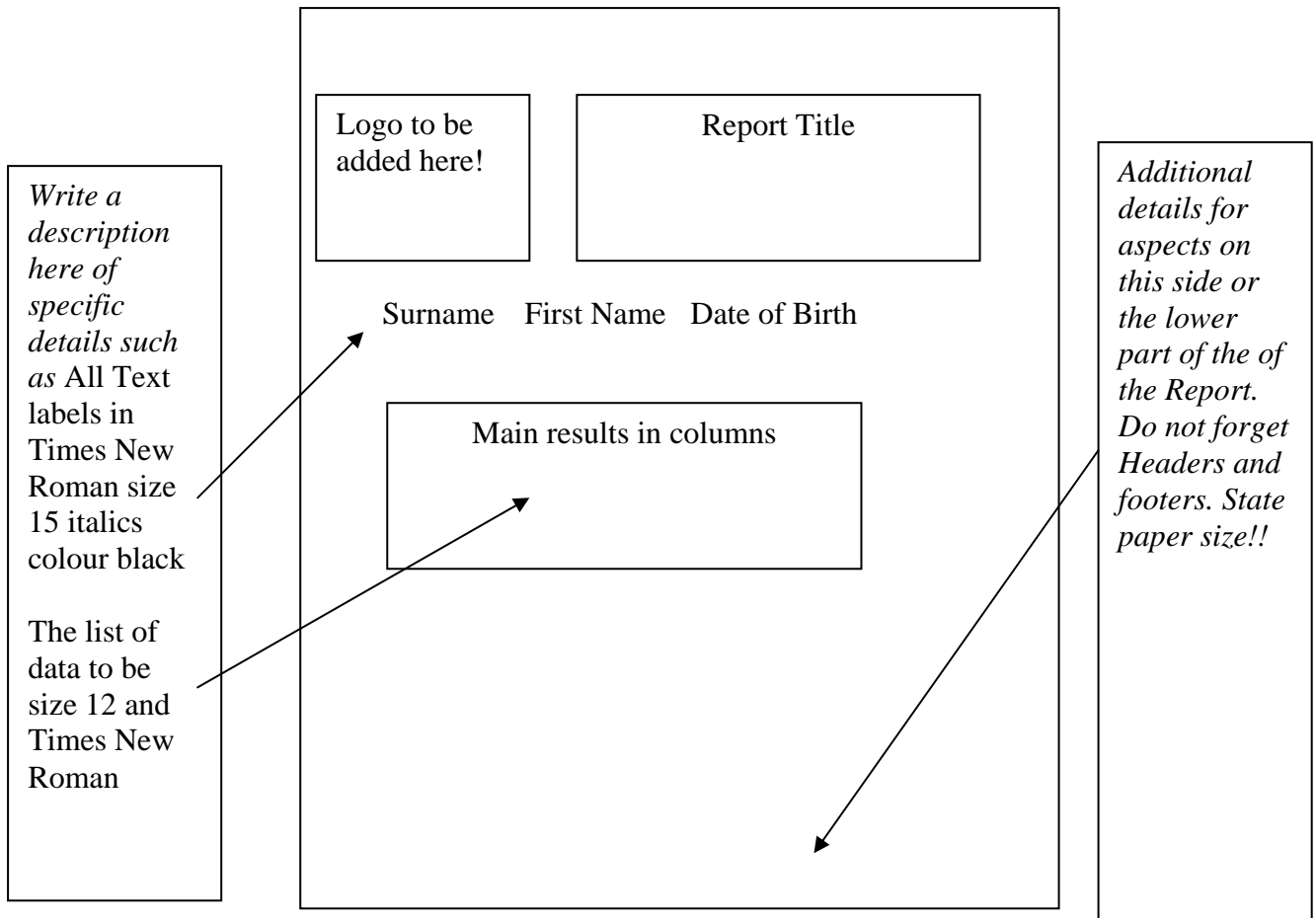
Database Design – Macro Design

<i>Macro Name</i>	<i>Actions in sequence</i>
mcropenaccount	Open FrmAccount Move to New Record Place Cursor in Surname field

Database Design – Report Design

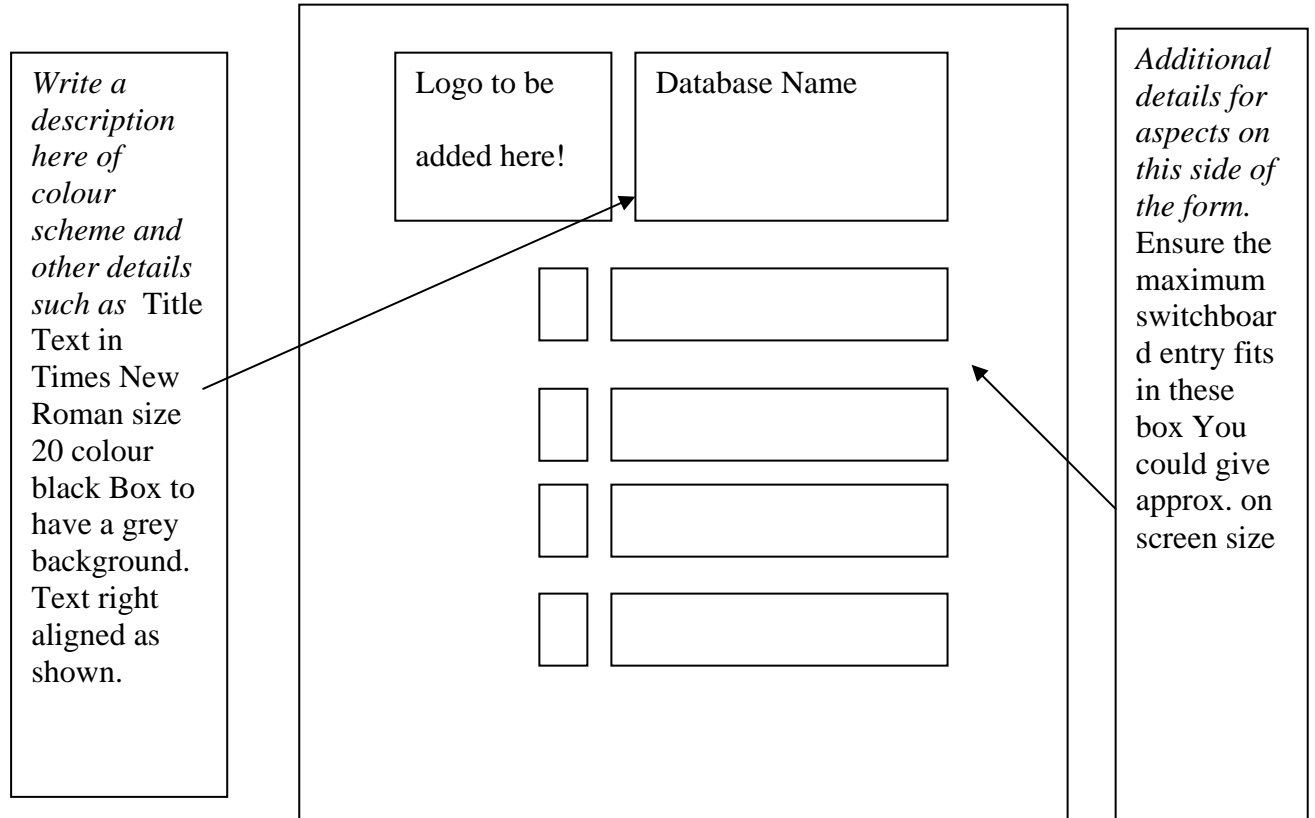
Reportstudentsexamtoday

Data to Come from Query or table name



Database Design – Menu Design

Layout Scheme



Structure

